


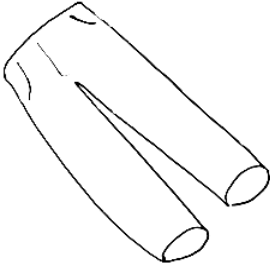

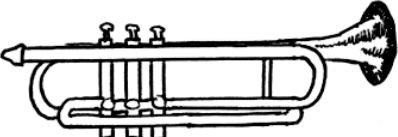

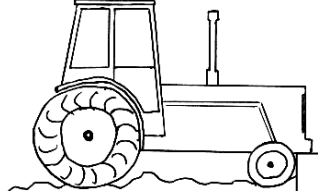



# 'tr' and 'tw' Clusters

Name: \_\_\_\_\_ Date: \_\_\_\_\_

• Write in the correct initial cluster for each picture...

 <input data-bbox="427 667 555 768" type="text"/>	 <input data-bbox="880 667 1008 768" type="text"/>	 <input data-bbox="1327 667 1455 768" type="text"/>
 <input data-bbox="427 974 555 1075" type="text"/>	 <input data-bbox="880 974 1008 1075" type="text"/>	 <input data-bbox="1327 974 1455 1075" type="text"/>
 <input data-bbox="427 1276 555 1377" type="text"/>	 <input data-bbox="880 1276 1008 1377" type="text"/>	 <input data-bbox="1327 1276 1455 1377" type="text"/>

• Make up a sentence containing as many 'tr' words as you can.

\_\_\_\_\_

\_\_\_\_\_

\_\_\_\_\_

• Now make up one containing 'tw' words.

\_\_\_\_\_

\_\_\_\_\_

\_\_\_\_\_